

PRODUCT TECHNICAL DATASHEET

TW90/800

New 

Brushless 

Intensive use 

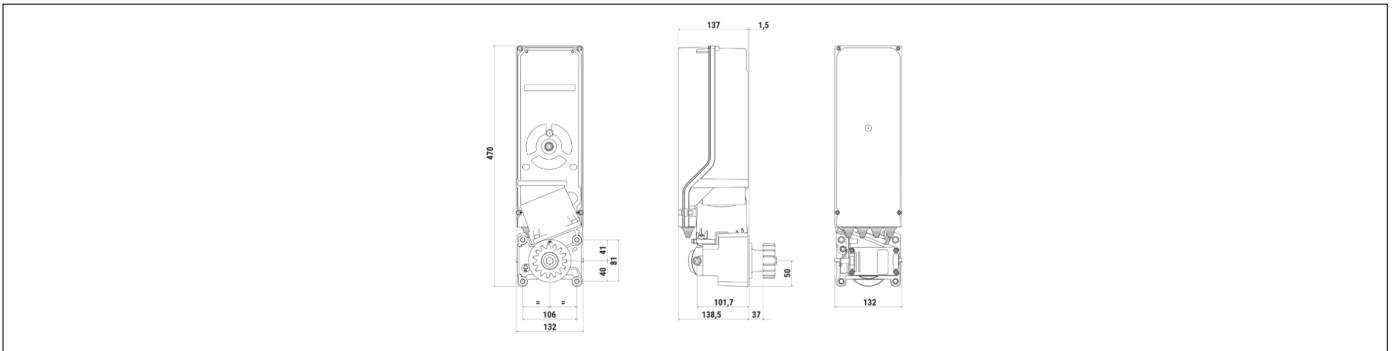
4096 PPR Digital Magnetic Encoder 



CODE	DESCRIPTION	PCS/PALLET
TW90/800	Electromechanical BRUSHLESS motor, low voltage, super intensive use, with SENSORED digital magnetic encoder at 4096 PPR, irreversible ideal for sliding gates up to 800 kg with built-in digital controller B70 series.	50

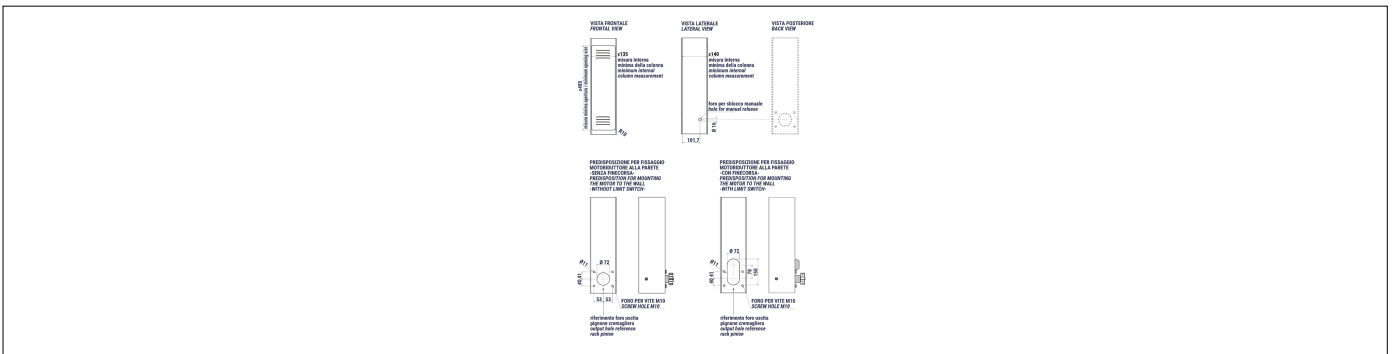
PRODUCT TECHNICAL SPECIFICATIONS	
Max gate weight	800 kg
Power line supply	230V AC - 50Hz
Motor power supply	24V
Power rating	180W
Frequency of use	Intensive use
Thrust	385N
Operating temperature	-20+55°C
Protection level	IP44
Reductor Type	Irreversible
Manoeuvre speed	12.3 m/min (0.2 m/s)
Limit switch	Without limit switches - optional
Onboard control unit	B70/1T
Encoder	Digital magnetic encoder SENSORED, 4096 PPR
Batteries recovery	Optional 2 internal battery 12V 1,2AH
Type exit gear	Z15/mod 4
Operating cycles per day (opening/closing - 24 hours no stop)	150000
Maximum dimension product in mm (L x W x H)	132 x 138,5 x 470
Product weight packed (Kg)	8,2

PRODUCT DIMENSIONS AND PREPARING FOR INSTALLATION



DIMENSIONS

PRODUCT PREPARING FOR INSTALLATION



PREDISPOSITION FOR STANDARD INSTALLATION

PRODUCT ACCESSORIES



B71/BC
Batteries charger for Brushless digital controller B70/1DC - B70/1T.



BT12V12
Battery 12V 1.2 Ah (1 pc).



B71/PBX24/BOX
Hybrid inverter, "Network Assisted" version, for powering the automation. Also provides a battery-charger function thanks to the connection to the solar panels or mains supply for powering the 24V DC brushless digital controllers with a mains voltage of 230V AC.



B71/PBX24/BOX/115
Hybrid inverter, "Network Assisted" version, for powering the automation. Also provides a battery-charger function thanks to the connection to the solar panels or mains supply for powering the 24V DC brushless digital controllers with a mains voltage of 115V AC.



B71/PBX/BOX
Hybrid inverter, "Full Solar" version, for powering the automation. Also provides a battery-charger function thanks to the connection to the solar panels for powering the brushless digital controllers.



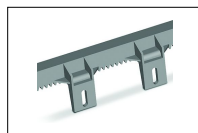
GA550
Galvanized steel rack 22x22x1000 module 4.



GA551
Galvanized steel rack 30x12x1000 module 4 with spacers and screws.



GA554
Pocket of 6 spacers (2,5 cm) and screws.



GA553
Nylon rack module 4 with 6 connectors L.1000.



GA557
Roger Technology nylon rack module 4 with 6 connectors L.1000.



MC784
Magnetic limit switch for TW90 with integrated control unit.



MC785
Magnetic limit switch kit and brackets for TW90 with integrated control unit.



B74/BCONNECT vers. HW2
Module Wi-Fi B-CONNECT - Remote management and programming system in IP web browser mode via Wi-Fi hot spot P2P connection for Brushless control units (B70/2ML - EDGE1 - CTRL - B70/1DC - B70/1DCHP - B70/1T - B70/1THP - F70/1PU36).



RL675
Extension for release shaft TW90.



RL676
Internal release key for installation without hole on TW90 column.



R99/C/001AL
Signboard "Automatic Opening"
Aluminium version.



R99/C/001
Signboard "Automatic Opening".